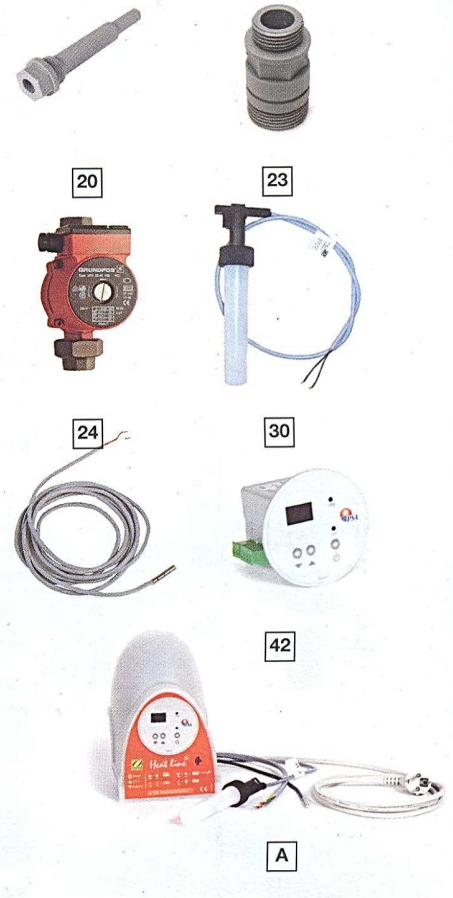


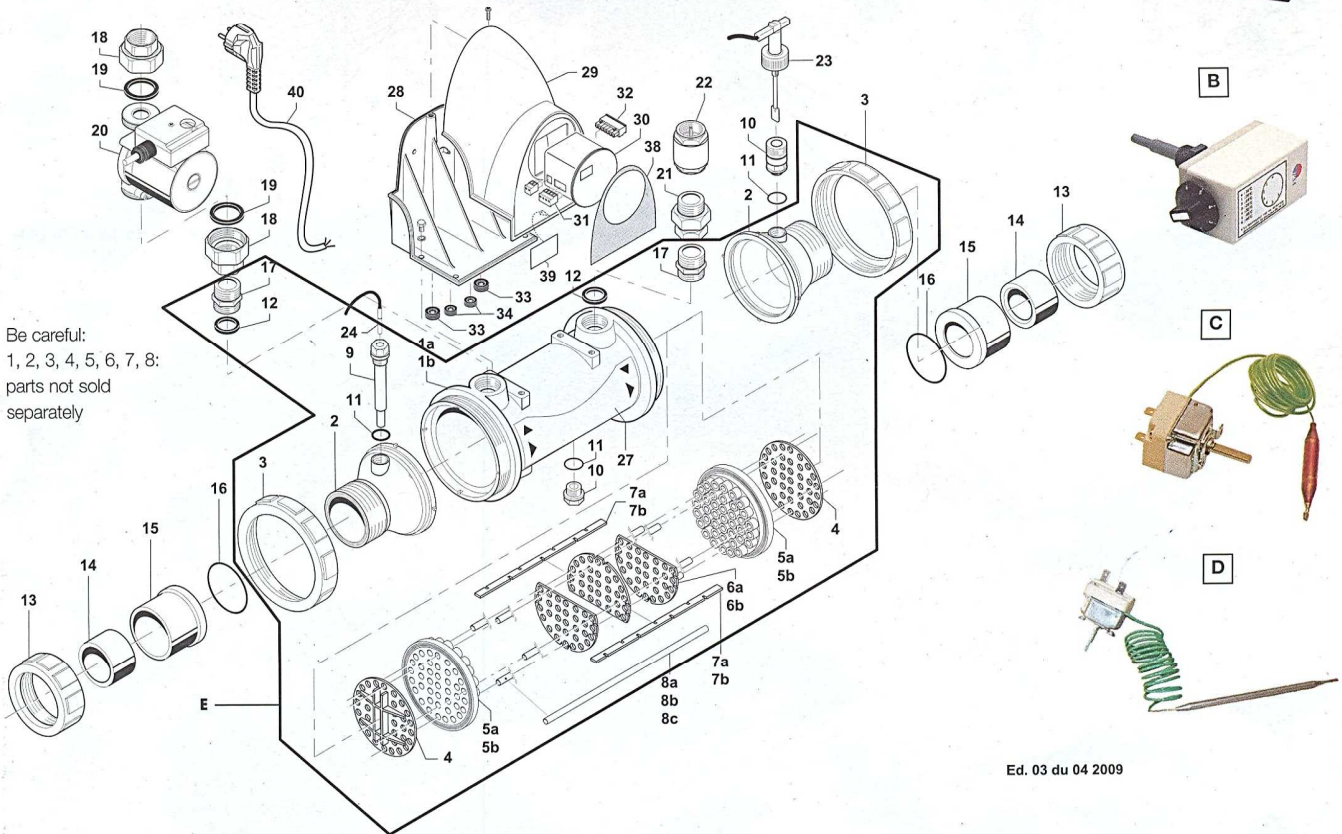
# Heat Line Plus - EC/K - EC/C

Description / Model*	Part number
<b>Spare electrical parts:</b>	
19 18 20 Circulator 2 m <sup>3</sup> 25/40 (EC/C, EC/K, HEAT LINE+) with 26/34 connection + joint	W49CC4
23 Noryl flow switch	WSK02015
24 Digital thermostat sensor PTC	WCE01311
30 Timed regulator ECP200 (HEAT LINE+)	WCE02684
23 10 42 Electric box (HEAT LINE +) and height adjuster with flow switch	W49COFKT
A Timed regulator (ECP233) HEAT LINE boxed) since 1997	WCE01308
B Aquastat 16/40° with glove finger 15/21M (basic HEAT LINE)	W20KD02
C Regulation thermostat 16/40° C bulb Ø 10 mm	WEG01404
D Regulation thermostat 16/40 bulb Ø 6 mm	WEG01405
Regulator FK151 (before 1997)	WCE02925
<b>Other</b>	
11 9 Threaded polyamide glove finger 15/21 male	WIB01625
Joint	WJW01667
11 10 Height adjuster for flow switch	WIB01611
Joint	WJW01667
16 15 14 13 2 1/2 union connections Ø 63 + adjusters Ø 50 (HEAT LINE)	W40RDU
22 Check valve 26/34	WCL03431
11 25 Cap 15/21	WIB01609
HEAT LINE cover with sticker	WIB02695
E 20 kW TITANIUM tank without valve 26/34	WKITCUVE20KT
E 40 kW TITANIUM tank without valve 26/34	WKITCUVE40KT
E 70 kW TITANIUM tank without valve 26/34	WKITCUVE70KT
Flat glove finger + Joint + Nut	WKITDGT
Cap 20/27 Female	WNS01751
Joint 20/27	WNS01780



\* For all orders for spare parts please give the serial number of the exchanger.

## HEAT LINE PLUS



Ed. 03 du 04 2009